



**Electro Techno Tak**

Design & production Of  
Resistance Welding Machines



# Auto Weld

## Model: AS-352

### Car Body Repair Welding Machine



**Capabilities:**

**Variety of welding gun (in five designs) to welding different parts of car:**

- Quick and easy replacement
- Lightweight and maneuverable (less than 5 kg)
- Water recirculation circuit

**Single side gun with 2 meters cable**

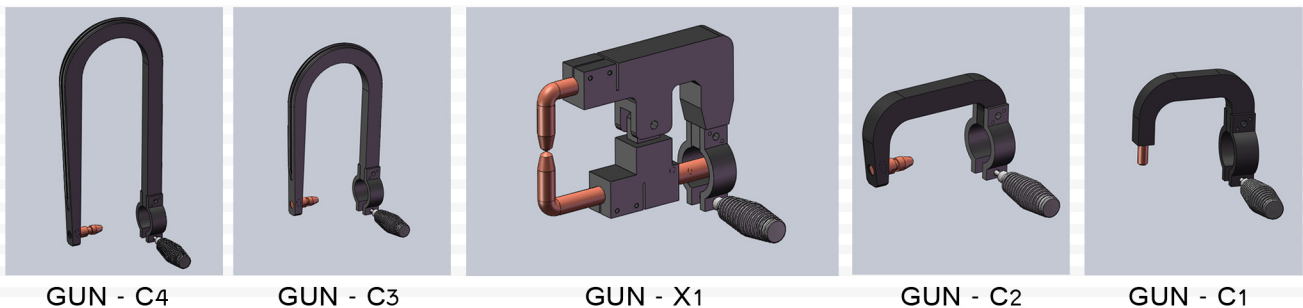
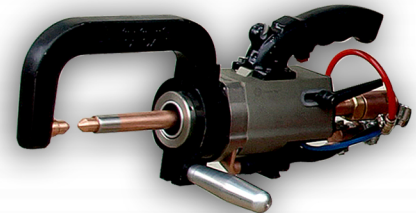
**Connect clamp with 2 meters cable**

**Balancer with stand to increase maneuverability and easier movement of the cable and gun**

**Digital control panel to precise control of the welding current and time or carbon rod shrinking**

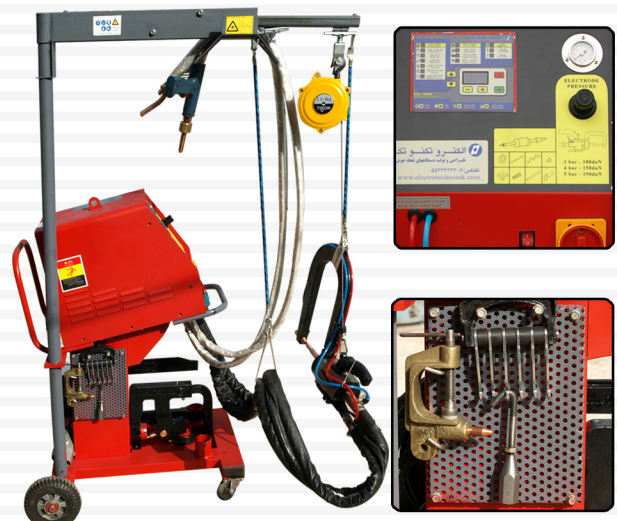
**Accessories such as, pneumatic suction, dent pulling electrodes and so on**

**Cooling water unit**



**Technical Data:**

Supply Voltage	380 (V)
Mains frequency	50/60 (Hz)
Nominal power 50% ED	40 (kVA)
Max power	56 (kVA)
No load Secondary vltage	7.3 (V)
Output current with cable & Arm Length (2.2m)	5.3 (kA)
Moximum short circuit current	8 (kA)
Weld time	100 (cycle)
Welding control	Digital
Actuator system	Pneu.
Automatic delay fuse	60 (A)
Isolate class	F
Compressed air supply	6 (bar)
Dimensions (L × W × H)	110 × 75 175 (cm)
Weight	180 (kg)





**Electro Techno Tak**

Design & production Of  
Resistance Welding Machines

## Features:

Reduce the time and cost of repairs and renovations

Increase the quality of the welding strength by considering the safety standards

Ability to weld the round and star electrodes for dent pulling

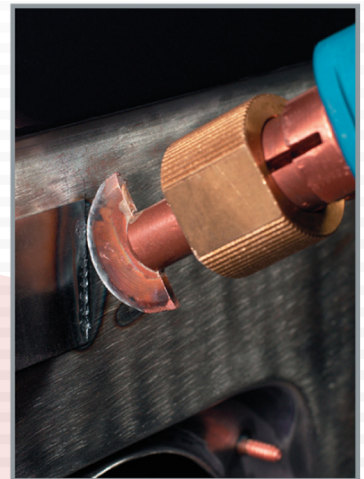
Possibility of localized heating to relieve the surface deviations

High performance against the low energy consumption

Very easy to use even for beginners

Displaying the network voltage as well as errors and difficulties

Fault diagnosis system (Thyristor error)



## Cooling water unit

Technical Data:

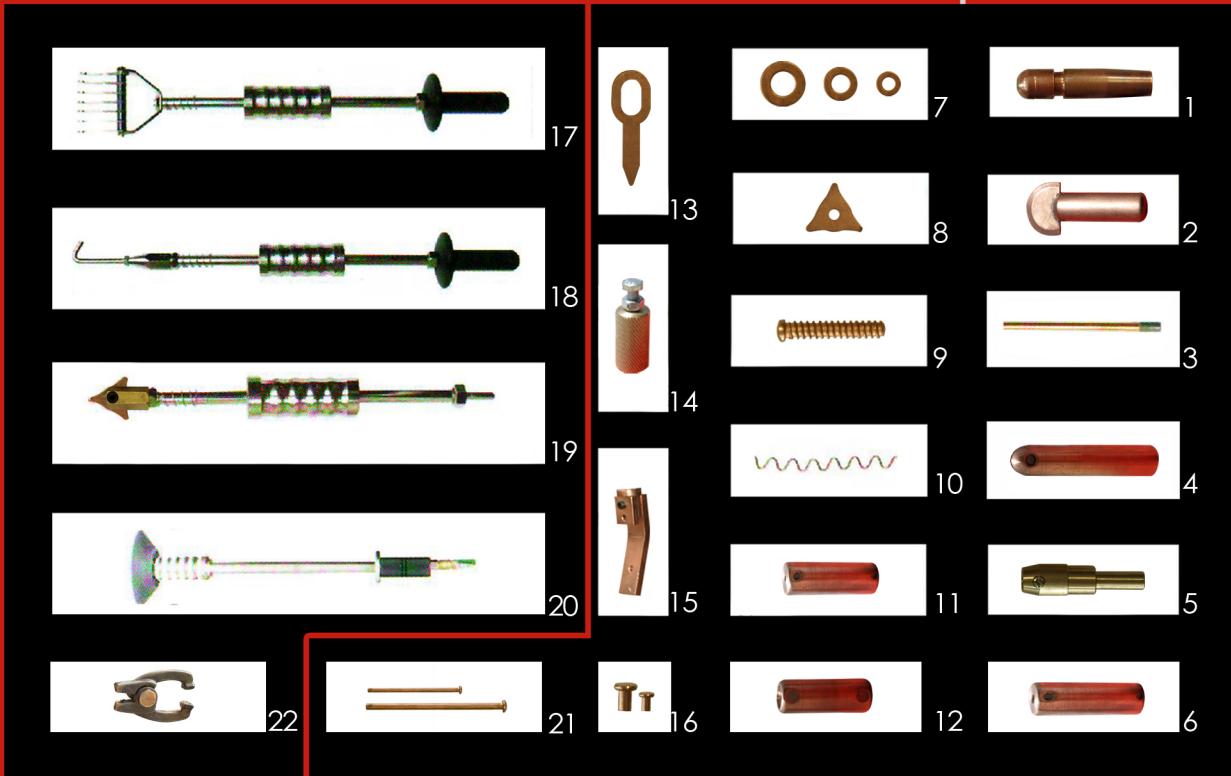
Pump power	370 (W)
Motor power	0.5 (HP)
Input voltage	220 (V)/1 PH
Debbi	4 (Lit/min)
Fluid	Mix of water & de-icer





Accessories tool's kit

Accessories:



- |                                       |                            |                             |
|---------------------------------------|----------------------------|-----------------------------|
| 1 Cap & Holder of spot welding        | 8 Triangular washer        | 15 Ground Plate             |
| 2 Sickle Electrode for Stitch Welding | 9 Set Screw                | 16 Rivet                    |
| 3 Carbon rod shrinking electrode      | 10 Wave Wire               | 17 Multiple dent pulling    |
| 4 Washer connector / Nut welding      | 11 Nail Welding Electrode  | 18 Single hook dent pulling |
| 5 Carbon rod Connector shrink         | 12 Rivet Welding Electrode | 19 Dent puller              |
| 6 Stud welding Electrode              | 13 Oval washer             | 20 Suction dent pulling     |
| 7 Washer                              | 14 Dent puller Connector   | 21 Nail                     |
|                                       |                            | 22 Connectivity clamp 3     |



# WELD ABOVE ALL

No.14, Haghigat alley, Mohamadian avenue  
 South side of Haft-e Tir Hospital, Shahid Rajaei street, Shahre Rey, Tehran.

Postal code: 18735-511 Tel-fax: +98 2155232432-6

[www.ElectroTechnoTak.com](http://www.ElectroTechnoTak.com)

[www.facebook.com/ElectroTechnoTak](http://www.facebook.com/ElectroTechnoTak)